

Globe valve, 2-way, Flange, PN 25

- For closed (high temperature) hot water and steam systems in the non-critical range
- For water-side modulating control of air-handling and heating systems


Type overview

Type	DN []	kvs [m ³ /h]	Stroke [mm]	PN []	Sv min. []
H6015XP4-S2	15	0.4	15	25	50
H6015XP63-S2	15	0.63	15	25	50
H6015X1-S2	15	1	15	25	50
H6015X1P6-S2	15	1.6	15	25	50
H6015X2P5-S2	15	2.5	15	25	50
H6015X4-S2	15	4	15	25	50
H6020X4-S2	20	4	15	25	100
H6020X6P3-S2	20	6.3	15	25	100
H6025X6P3-S2	25	6.3	15	25	100
H6025X10-S2	25	10	15	25	100
H6032X10-S2	32	10	15	25	100
H6032X16-S2	32	16	15	25	100
H6040X16-S2	40	16	15	25	100
H6040X25-S2	40	25	15	25	100
H6050X25-S2	50	25	15	25	100
H6050X40-S2	50	40	15	25	100
H6065X58-SP2	65	58	18	25	100
H6080X90-SP2	80	90	18	25	100
H6100X125-SP2	100	125	18	25	100

Technical data

Functional data	Media	Hot water and steam ($\Delta p/P1 < 0.4$), water with max. 50% volume of glycol
	Medium temperature	5...150 °C
	Medium temperature note	120 °C up to 2500 kPa 150 °C up to 2430 kPa
	Permissible pressure ps	2500 kPa
	Flow characteristic	equal percentage (VDI/VDE 2173) $n(gl) = 3$, optimised in the opening range
	Leakage rate	max. 0.05% of the kvs value
	Pipe connectors	Flange according to ISO 7005-2 (PN 25)
	Closing point	Bottom (▼)
	Installation position	Upright to horizontal (in relation to the stem)
	Maintenance	Maintenance-free
Materials	Housing	GGG 40.3
	Closing element	Stainless steel
	Stem	Stainless steel
	Stem seal	PFTE V-ring
	Seat	Stainless steel

Safety notes


- The valve has been designed for use in stationary heating, ventilation and air-conditioning systems and is not allowed to be used outside the specified field of application, especially in aircraft or in any other airborne means of transport.

Safety notes

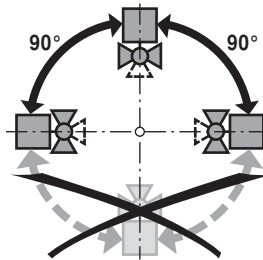
- Only authorised specialists may carry out installation. All applicable legal or institutional installation regulations must be complied during installation.
- The valve does not contain any parts that can be replaced or repaired by the user.
- The valve may not be disposed of as household refuse. All locally valid regulations and requirements must be observed.
- When determining the flow rate characteristic of controlled devices, the recognised directives must be observed.

Product features

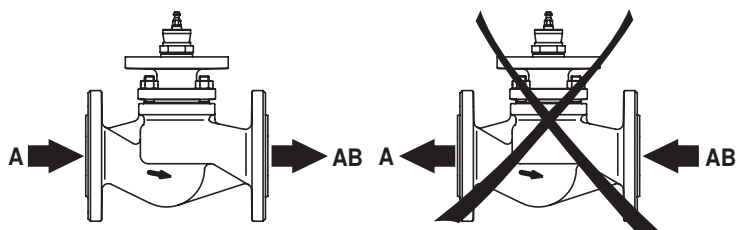
- Mode of operation** The globe valve is adjusted by a globe valve actuator. The actuators are connected by a commercially available modulating or 3-point control system and move the valve cone, which acts as a throttling device, into the opening position dictated by the positioning signal.
In the nominal sizes 65, 80 and 100, the valve is constructed in the same way as the H6..SP series. Higher closing pressures are permitted as a result of both the partial pressure relieving stem and the overflow channels in the valve.
- Flow characteristic** An equal percentage flow characteristic is produced by the profile of the valve cone.

Installation notes

- Recommended installation positions** The globe valve may be mounted upright to horizontal. It is not permissible to mount the globe valves with the spindle pointing downwards.

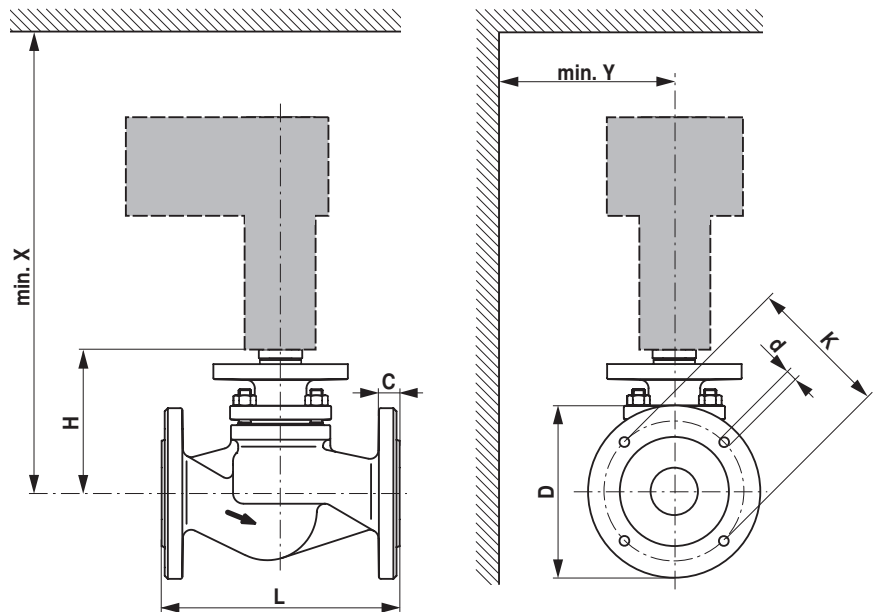


- Water quality requirements** The water quality requirements specified in VDI 2035 must be adhered to. Belimo valves are regulating devices. For the valves to function correctly in the long term, they must be kept free from particle debris (e.g. welding beads during installation work).
The installation of suitable strainer is recommended.
- Maintenance** Globe valves and globe valve actuators are maintenance-free.
Before any kind of service work is carried out on the actuator, it is essential to isolate the globe valve actuator from the power supply (by disconnecting the electrical cables if necessary). Any pumps in the part of the piping system concerned must also be switched off and the appropriate shut-off valves closed (allow everything to cool down first if necessary and reduce the system pressure to ambient pressure level).
The system must not be returned to service until the globe valve and the globe valve actuator have been mounted properly in accordance with the instructions and the pipes have been refilled in the proper manner.
- Flow direction** The direction of flow, specified by an arrow on the housing, is to be complied with, since otherwise the valve could become damaged.



Dimensions / Weight

Dimensional drawings



X/Y: Minimum distance with respect to the valve centre.
The actuator dimensions can be found on the respective actuator data sheet.

Type	DN []	L [mm]	H [mm]	C [mm]	D [mm]	d [mm]	K [mm]	X [mm]	Y [mm]	Weight approx. [kg]
H6015XP4-S2	15	130	118	14	95	4 x 14	65	370	100	3.9
H6015XP63-S2	15	130	118	14	95	4 x 14	65	370	100	3.9
H6015X1-S2	15	130	118	14	95	4 x 14	65	370	100	3.9
H6015X1P6-S2	15	130	118	14	95	4 x 14	65	370	100	3.9
H6015X2P5-S2	15	130	118	14	95	4 x 14	65	370	100	3.9
H6015X4-S2	15	130	118	14	95	4 x 14	65	370	100	3.9
H6020X4-S2	20	150	118	16	105	4 x 14	75	370	100	4.9
H6020X6P3-S2	20	150	118	16	105	4 x 14	75	370	100	4.9
H6025X6P3-S2	25	160	126	16	115	4 x 14	85	380	100	6.0
H6025X10-S2	25	160	126	16	115	4 x 14	85	380	100	6.0
H6032X10-S2	32	180	126	18	140	4 x 18	100	380	100	7.5
H6032X16-S2	32	180	126	18	140	4 x 18	100	380	100	7.5
H6040X16-S2	40	200	133	18	150	4 x 18	110	390	100	9.3
H6040X25-S2	40	200	133	18	150	4 x 18	110	390	100	9.3
H6050X25-S2	50	230	139	20	165	4 x 18	125	390	100	11.8
H6050X40-S2	50	230	139	20	165	4 x 18	125	390	100	11.8
H6065X58-SP2	65	290	155	22	185	4 x 18	145	400	100	17.3
H6080X90-SP2	80	310	170	24	200	8 x 18	160	420	150	23
H6100X125-SP2	100	350	190	24	235	8 x 22	190	440	150	34

Further documentation

- Overview Valve-actuator combinations
- Data sheets for globe valve actuators
- Installation instructions for valves and/or globe valve actuators
- Notes for project planning 2-way and 3-way globe valves