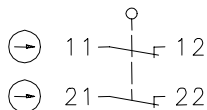


Series GC

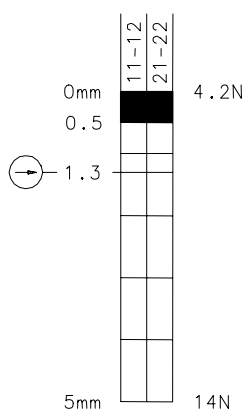
Description **GC-A2Z HIW**

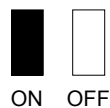
Article number **6021820175**

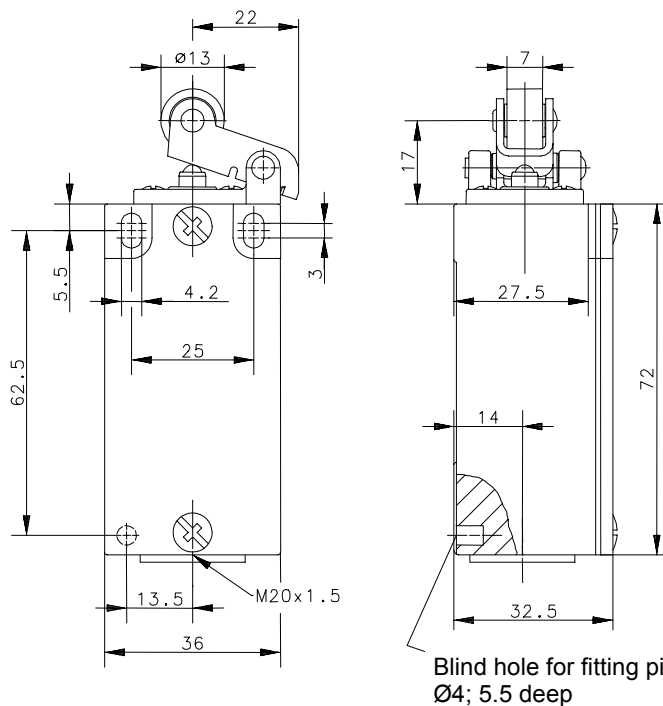
Operating symbol



Operating diagram




Tolerances
 Operating point: $\pm 0,25\text{mm}$;
 Actuating force: $\pm 10\%$



Electrical data

Max. voltage		400V AC
Max. enduring current	I_{th}	6A
Short-circuit protective device		Fuse 6A gL/gG
Protection class		I

This document will not become the contractual basis; the details included herein do not constitute any descriptions of expected conditions, so that warranties/claims for defects on account of possible variations of the actual qualities from the qualities described herein are explicitly excluded. All rights reserved. Specifications subject to change without notice!

Date of issue: 10.02.2006 / Page 1 of 2
 Document: 6021820175_en / Last update: 1 / 2116-06

Mechanical data

Enclosure	Die-cast aluminium
Cover	Sheet aluminium
Actuator	Lever (sheet), roller (thermoplastic)
Ambient air temperature	-30°C ... +80°C
Contact type	2 NC (B)
Mechanical life	1 x 10 ⁵ operating cycles
Switching frequency	≤ 100 / min.
Assembly	2 x M4
Connection - contact elements	4 screw terminals (M3.5)
Conductor cross-sections	Solid: 0.5 ... 1.5mm ² Litz wire with ferrules: 0.5 ... 1.5mm ²
Cable entrance	2 x blind cap (M16x1,5 and M20x1,5),
Weight	≈ 0,154kg
Installation position	Operator definable
Protection type	IP65 acc. to IEC/EN 60529

Actuation

The actuating device is preferably started from 1 side.

By loosening the 4 screws the actuation assembly can be rotated in 90 degree increments such that 4 actuation directions are possible. The actuation assembly is to be again fastened to the housing using the 4 screws.

Standards

VDE 0660 T100, DIN EN 60947-1, IEC 60947-1
VDE 0660 T200, DIN EN 60947-5-1, IEC 60947-5-1

EU Conformity



Notes

The degree of protection specified (IP code) applies only to a properly closed cover and the use of an equivalent cable gland with adequate cable.